



## Data Sheet



**VELTIA®** an innovative hand dryer that operates without heating element. Operates automatically when putting your hands in the drying chamber and works based on high speed air allowing to dry hands in a very short time leaving on the skin a nice feeling of a massage.

Besides a great effectiveness, **VELTIA®** includes a bad scents elimination system thanks to **ZEROSMELL®** (sold separately).

**VELTIA®** is ideal for washrooms with medium and high number of users per day.

Patent Number: **WO / 2006 / 042896**

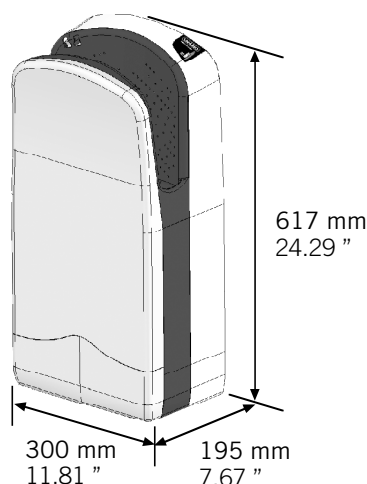
## TECHNICAL, ENVIRONMENTAL AND MECHANICAL SPECIFICATIONS

MODEL:	240V	120V
Voltage	220/230/240V~	110/120V~
Frequency	50/60 Hz	50/60 Hz
Power consumption	1.760 W	1.749 W
Current (Running)	8.0A @ 230Vac	15.9A @ 120Vac
Electrical Isolation	Class II*	Class II*
Air Speed	200 Km/h (125 Mph)	200 Km/h (125 Mph)
Drying Time	10-15 s	10-15 s
Dimensions	300 x 195 x 617 (mm)	300 x 195 x 617 (mm)
	11.81x7.67x24.29 (inches)	11.81x7.67x24.29 (inches)
Weight	9.55 Kg (21.1 Lb)	9.55 Kg (21.1 Lb)
IP Code	IP33	IP33
Noise (@ 2 mt)	70 dB	70 dB
Number of Motors	2	2
Motors Speed	30.000 rpm	30.000 rpm
Motors Driving System	Soft Starting	Soft Starting
Hands Detection System	IR - Barrier	IR - Barrier

## MATERIALS

Housing case and water tank made of High impact 2.6mm thick ABS with antibacterial protection in drying area  
All plastic pieces are properly prepared for recycling  
Internal parts are contained by fire retardant plastic rated 5VA according to directive UL94  
VELTIA complies with ROHS directive

## DIMENSIONS



## CERTIFICATIONS

### Europeans Directives:

Other Certifications  
D89/336/CEE y D92/31/CEE;  
D73/23/CEE y D93/68/CEE;  
D98/37/CEE;  
D92/59/CEE y D2001/95/CEE

### Other Certifications:

ANCE NOM, SABS, UL

Product information subject to changes without further notice

Rev.:1.1

Oct 2.008

VELTEK SYSTEMS S.L.

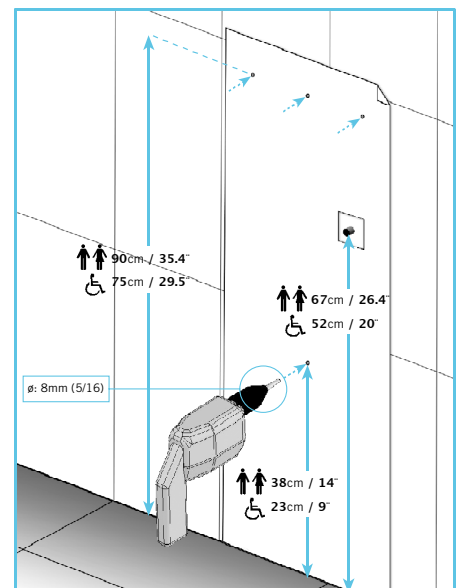
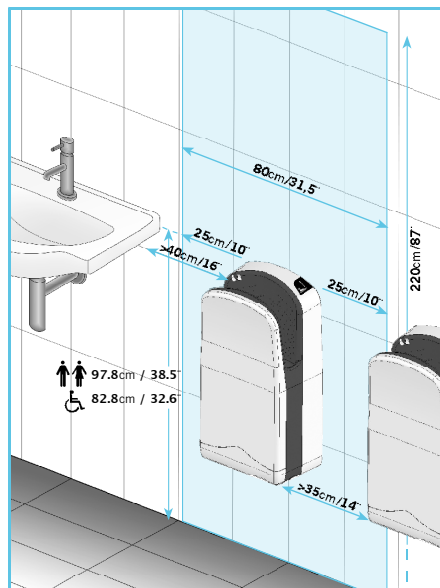
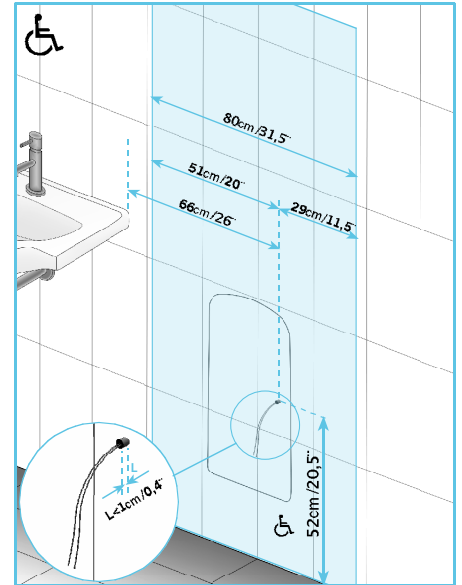
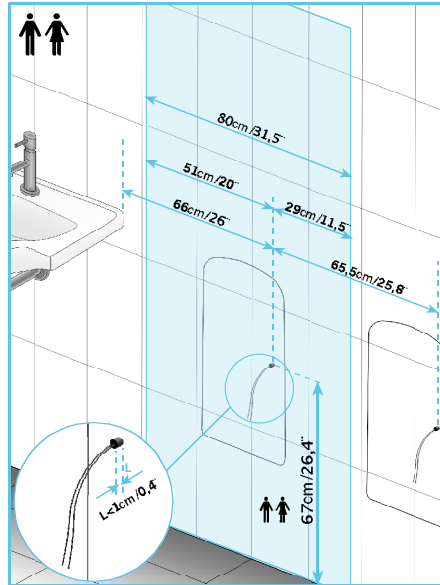
1/2



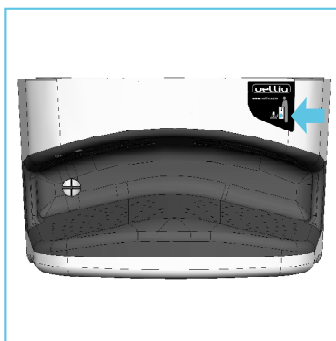
## Data Sheet



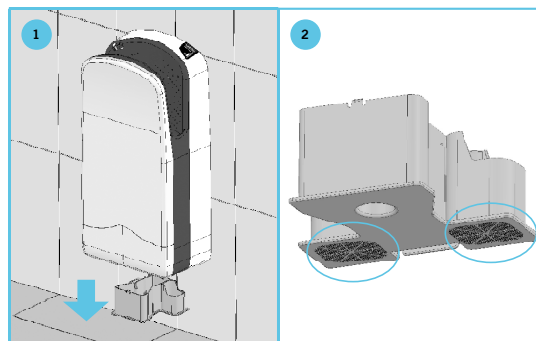
### RECOMENDED HEIGHTS FOR INSTALLATION



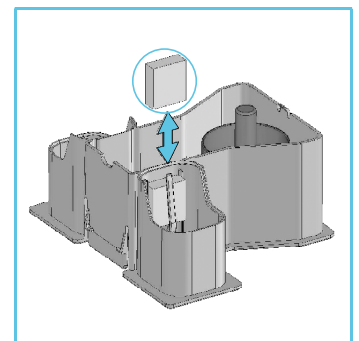
### MAINTENANCE



**Warning:** Water tank full; must be emptied.



**Air Filters:** To be checked often and cleaned if necessary.



**ZeroSmell®:** Must be changed every 3 months.



Product information subject to changes without further notice

Rev.:1.1

Oct 2.008

VELTEK SYSTEMS S.L.

2/2